

- **Current and Voltage Outputs**
- **Provides Wide Output Range**
- **Up to 14 Analog Output Modules in One PLC-K6 System**
- **12-bit Conversion for High-Resolution Measurement**
- **Very Reliable +/-0.3% Error**



The K632-02IV is an Analog Output Expansion Module that reads in a digital value from the PLC and outputs either a voltage or current that reflects that digital value. This unit has a 12-bit digital output resolution allowing the user to increment in 976 μV or 3.9 μA steps. The K632-02IV can output a current range of 0-20 mA or 4-20 mA, and a voltage range of 1-5 VDC or 0-10 VDC. The K631 series has an accuracy of +/- 0.5% to ensure a precise reading. These modules are attached to the K6 CPU series to provide analog output capabilities. Up to 6 of the analog output modules can be attached to the K6 series CPUs, allowing for a maximum of 12 analog outputs or 14 analog outputs if using the K606EA-30AT.

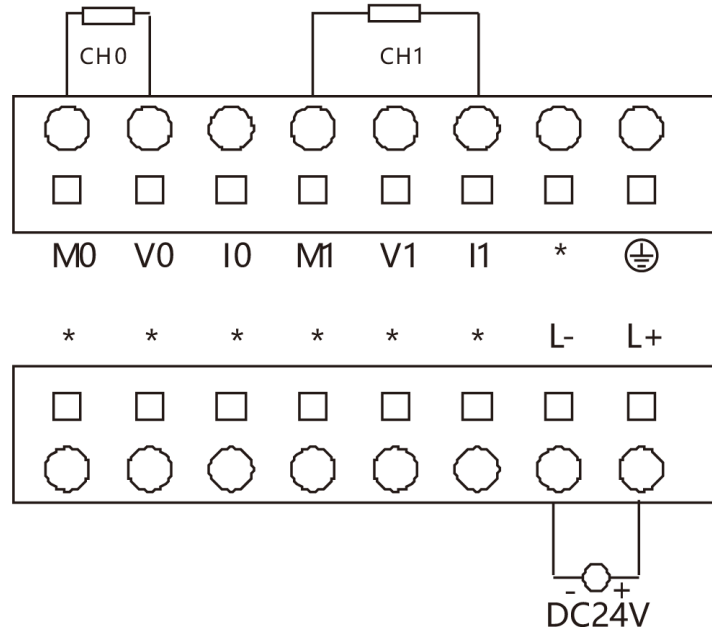
Parameter	K632-02IV
Output Channels	2
Signal Type	4-20 mA, 0-20 mA, 1-5 Vdc, 0-10 VDC
Output Accuracy	0.5% F.S.
Parameter Configuration	Each Channel Can be Configured Separately by Kinco-builder Software
Signal Limitation	Cannot Exceed Chosen Range
Module Width	50 mm



K632-02IV

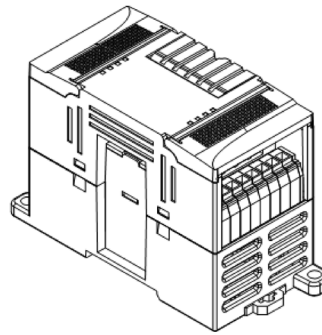
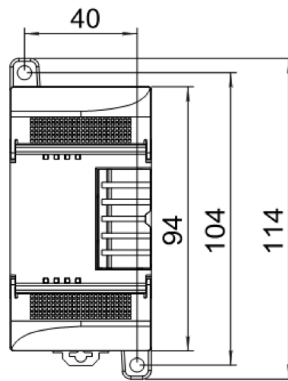
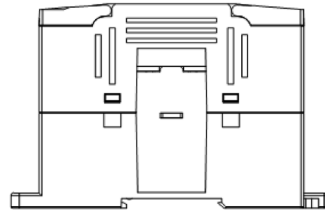
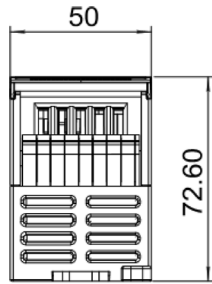
Voltage output

Current output



L011985

DIMENSIONS



Units are in mm