

- **Digital Inputs: 8 Channels**
- **Digital Outputs: 8 Channels**
- **Inputs (NPN/PNP)**
- **Transistor Outputs (PNP)**
- **Powered by Expansion Bus**
- **16 Channels (8 Channels/Group)**
- **Power Supply: 24VDC**



The K623S Expansion Modules are offered with 8 Digital Inputs and 8 Digital Outputs. The optional expansion modules are attached to the K615S CPU to expand beyond the onboard inputs and outputs. The K615S CPUs can handle up to 272 I/O points with a maximum of 16 K6S expansion modules. The transistor output modules are opto-isolated for unit protection.

Parameter	K623S-16DT
Overview	Module for 16-channel transistor input/output mixed (8DI / 8DO)
Input Type	Source / Sink (NPN / PNP)
Output Type	Transistor Outputs (PNP)
Channels	16 channels (8 channels / group) 8DI / 8DO
Power Supply	Powered by Expansion Bus
Input Range	The maximum input voltage for signal "0" is 5V and the current is 0.8mA. The minimum input voltage for signal "1" is 11V and the current is 2mA.
Input Delay	Turn-on <18us Turn-off <50us
Isolation	Optical Isolation, 500VAC/min
Rated Output Voltage	DC20.4V-DC28.8V
Output Current per Channel	300mA @ 24VDC
Output Leakage Current	10uA
Output Impedance	0.20Ω
Output Delay	Turn-on <30us Turn-off <50us
Protection	Inductive load output protection Output polarity reversal protection Short-circuit protection

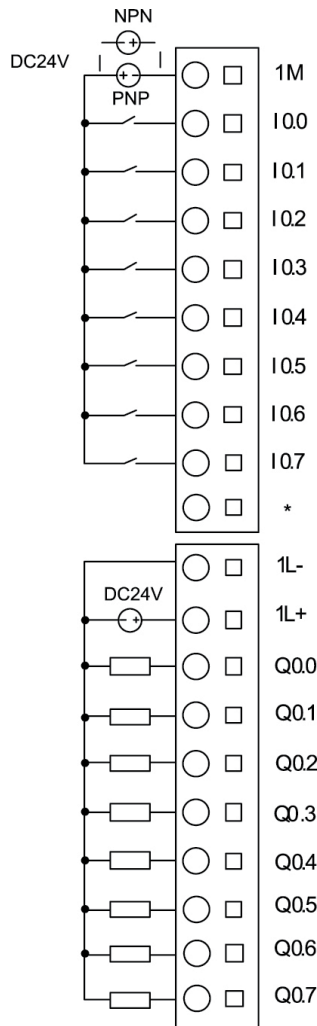
L012002

(Example of Expansion Modules Connected Together)



EXPANSION

K623S-16DT



WIRING DIAGRAM

L012002

DIMENSIONS

K623S-16DT

