

FV20-2S Series

FEATURES

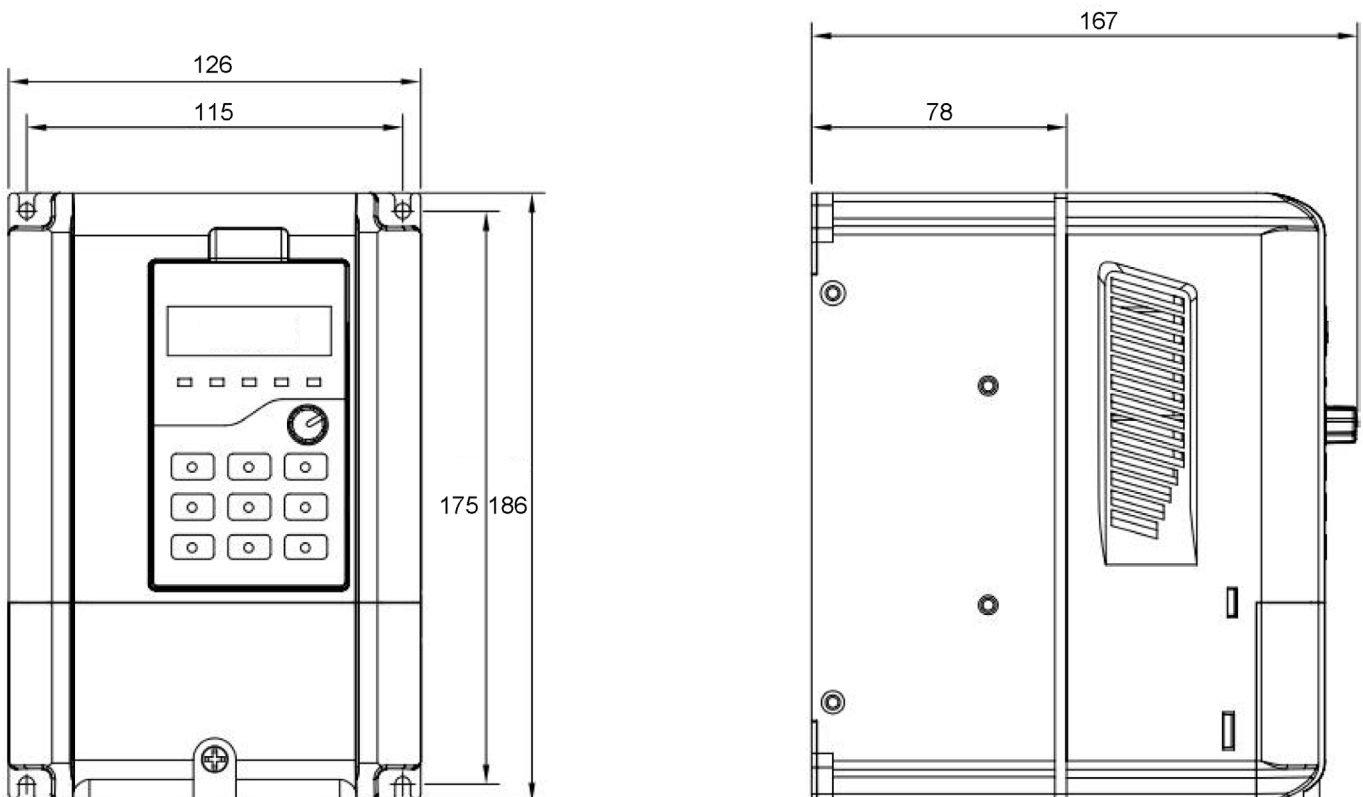
- **Input Voltage Range of 200-240V**
- **Power of up to 3.0 HP**
- **Frequency from 0 - 300Hz**
- **Methods of Control: V/F control, Sensorless Flux Vector Control, Closed-Loop Vector Control**
- **Built in EMI Filter and Brake Resistor**
- **Modbus RTU or ASCII Protocol (RS485 baud rate up to 125000bps)**
- **Supports Analog or Discrete Input Control, Communication Control, or Panel Control with Detachable Remote**



DESCRIPTION

The Kinco FV20-2S VFD Series combines power and performance into one compact package. With 240VAC Single-Phase input, this drive offers up to 2.2 kW (3.0HP) of power to drive your Three-Phase AC motor. This series offers unique control methods to achieve high torque and accuracy, and variable speed range. Other features for this drive includes flexible I/O terminals, overcurrent, overvoltage, undervoltage, and overheat protection, acceleration and deceleration times, and vector control.

DIMENSIONS



L011888

FV20-2S Series

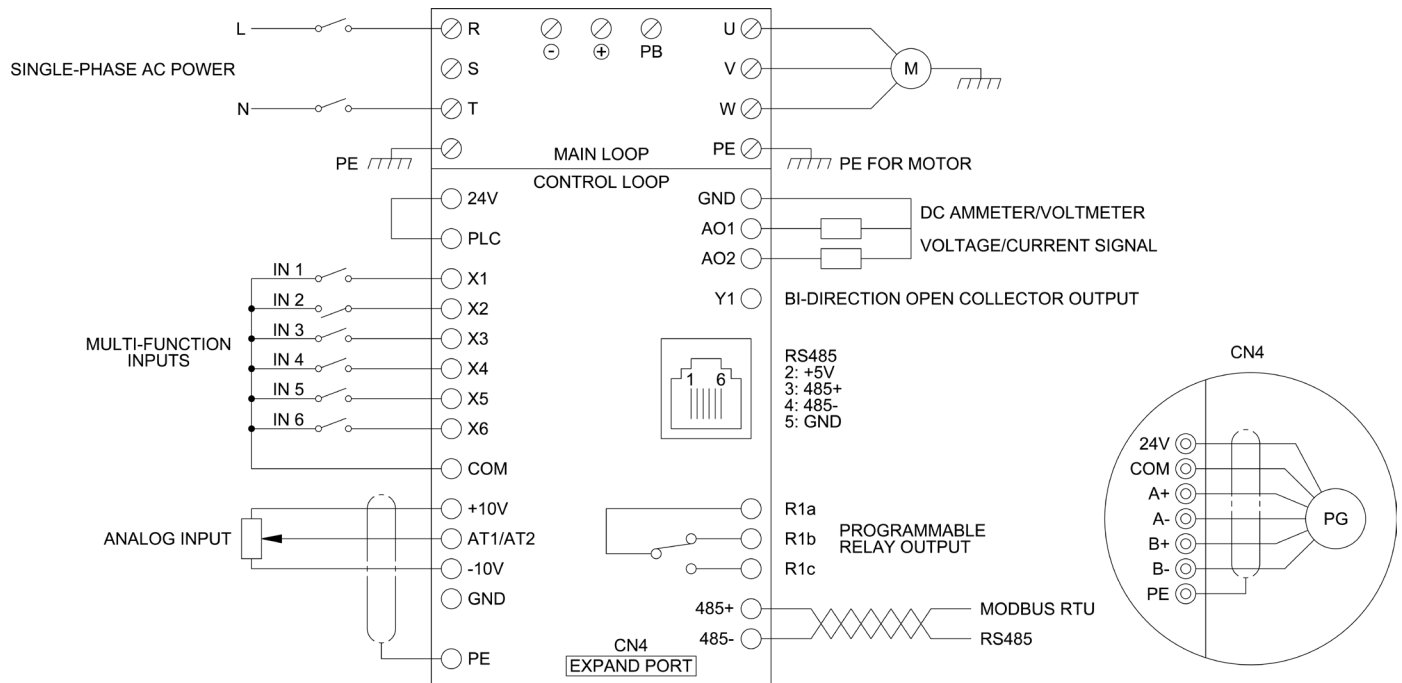


SPECIFICATIONS

SERIES #	Input Voltage Range	Max Power (KW)	Max Power (HP)	Rated Current (A)	Overload Tolerance for One Minute (A)	Installation Type
FV20-2S-0004G	Single-Phase, 240V	0.4	0.53	2.5	3.75	Wall Mount
FV20-2S-0007G	Single-Phase, 240V	0.75	1	4.0	6	Wall Mount
FV20-2S-0015G	Single-Phase, 240V	1.5	2	7.5	11.25	Wall Mount
FV20-2S-0022G	Single-Phase, 240V	2.2	3	10	15	Wall Mount

MODEL	FV20-2S			
	0004	0007	0015	0022
The Power of Suitable Motor (KW)	0.4	0.75	1.5	2.2
OUTPUT				
Voltage (V)	Single-Phase, 0~ Rated Input Voltage			
Rated Output Current (A)	2.5	4.0	7.5	10
Overload Capacity	150% 1 Minute; 180% 10 Seconds			
INPUT				
Rated Voltage/Frequency	Single Phase, 220VAC; 50Hz/60Hz			
Allowable Voltage Range	180VAC~260VAC; Voltage Unbalanced-ness:<3%; Allowable Frequency Fluctuation; ± 5%			
Rated Input Current (A)	5.3	8.2	14.0	23.0
Brake Unit	Built-In			

WIRING DIAGRAM



L011888

INPUT	
Rated Voltage/Frequency	2S: Single Phase, 200-240VAC; 50Hz/60Hz
Allowable Voltage Range	180-260VAC; Voltage Unbalanceness:<3%; Frequency: ±5%
OUTPUT	
Voltage	0~Rated Input Voltage
Frequency	0Hz-300Hz (0Hz-3000Hz Custom)
Overload Capacity	150% Rated Current for 1 Minute, 180% Rated Current for 10 Seconds
MAIN CONTROL CHARACTERISTICS	
Control Method	Vector Control Without PG, Vector Control with PG, V/F Control
Starting Torque	0.5Hz 150% Rated Torque (Vector Control Without PG) , 0Hz 200% Rated Torque (Vector Control with PG)
Frequency Accuracy	Digital Setting: Max. Frequency x ±0.01%; Analog Setting: Max. Frequency x ±0.2%
Frequency Resolution	Digital Setting: 0.01Hz; Analog Setting: Max. Frequency x 0.1%
Torque Boost	Manual Torque Boost: 0%-30.0%
V/F Pattern	4 Patterns: 1 V/F Curve Mode Set by User and 3 Kinds of Torque-De-rating Modes (2.0 Power, 1.7 Power, 1.2 Power)
Acceleration/Deceleration Curve	Linear Acceleration/Deceleration. Four Kinds of Acceleration/Deceleration Time are Optional
Auto Current Limit	Limit Current During Operation Automatically to Prevent Frequent Overcurrent Trip
CUSTOMIZED FUNCTION	
Operation Command	Keypad Setting, Terminal Setting, Communication Setting
Frequency Command	Digital Setting, Analog Voltage Setting, Analog Current Setting
Auxiliary Frequency Setting	Implement Flexible Auxiliary Frequency Trim and Frequency Synthesis
Analog Output	2 Channels Analog Output (0/4~20mA or 0/2~10V)
Protection Function	Open Phase Protection (Optional), Overcurrent Protection, Overvoltage Protection, Undervoltage Protection, Overheat Protection, Overload Protection, and So On
ENVIRONMENT	
Altitude	Derated Above 1000m, The Rated Output Current Shall be Decreased by 10% for Every Rise of 1000m
Ambient Temperature	-10°C ~ +40°C (Derated at 40°C~50°C)
Humidity	5%~95%RH, Non-Condensing
Vibration	Less Than 5.9m/s ² (0.6g)
Storage Temperature	-40°C ~ +70°C